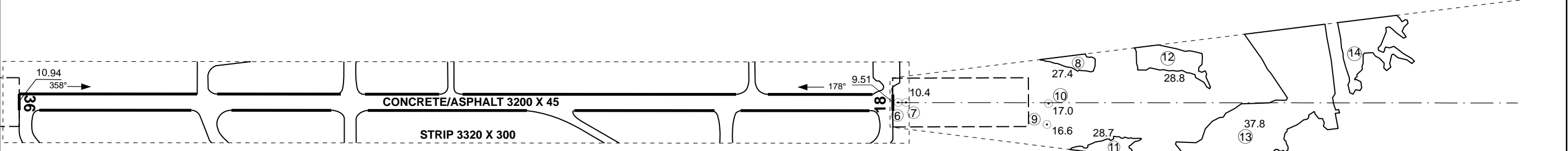
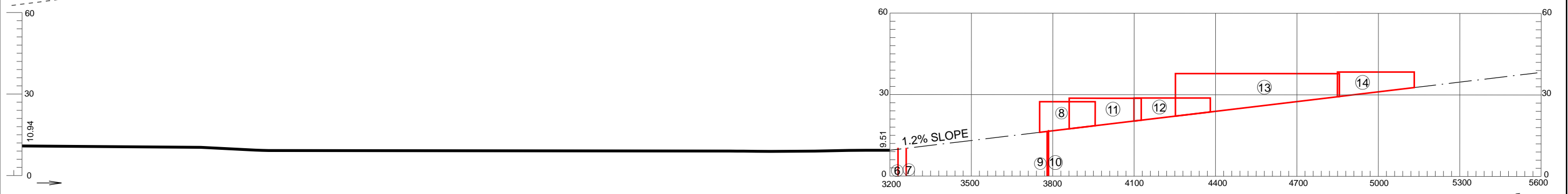
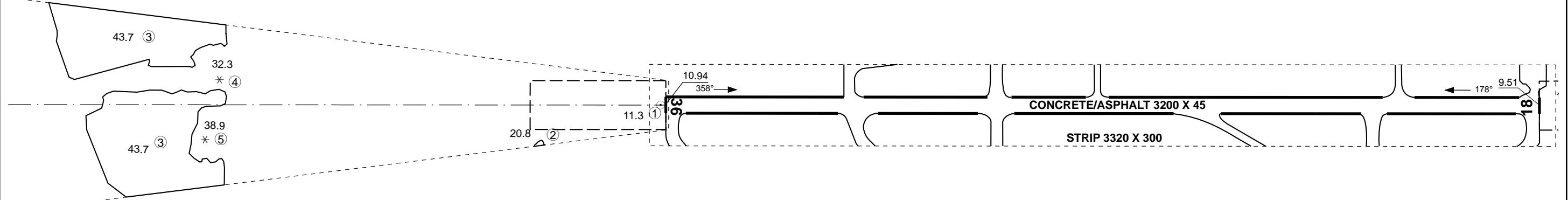
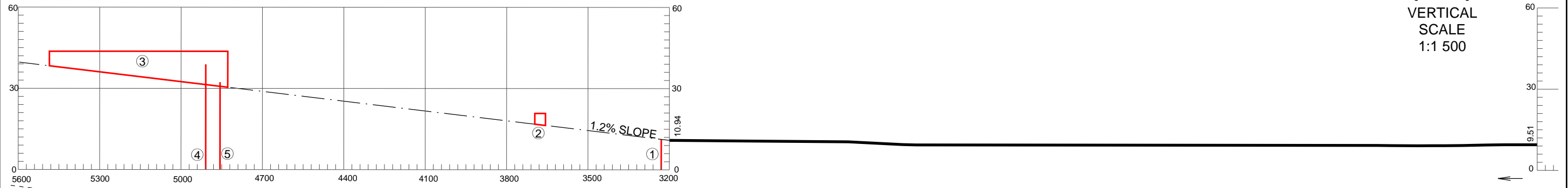
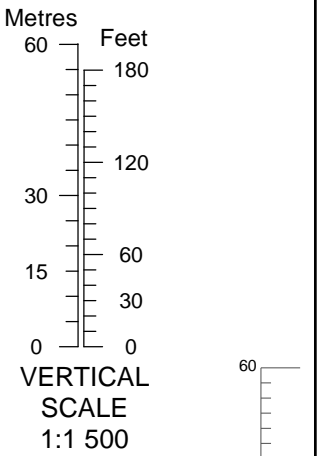


DIMENSIONS AND ELEVATIONS IN METRES  
MAGNETIC VARIATION 7°E (2012)

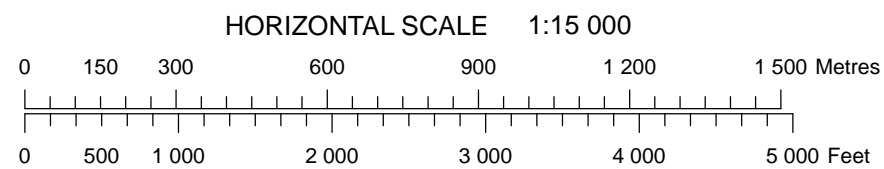
ORDER OF ACCURACY  
HORIZONTAL 0.61 METRES  
VERTICAL 0.15 METRES

RWY 18/36

DECLARED DISTANCES		
RWY 36		RWY 18
3200	TAKE-OFF RUN AVAILABLE	3200
3200	TAKE-OFF DISTANCE AVAILABLE	3200
3200	ACCELERATE STOP DISTANCE AVAILABLE	3200
3200	LANDING DISTANCE AVAILABLE	3200



LEGEND	
ANTENNA, POLE	⊙
TREE	*
FOREST, VEGETATION	⬭
IDENTIFICATION NUMBER	④



Changes: editorial

*INTENTIONALLY LEFT BLANK*