

AERODROME OBSTACLE CHART - ICAO
TYPE A (OPERATING LIMITATIONS)

RIGA
RWY 18/36

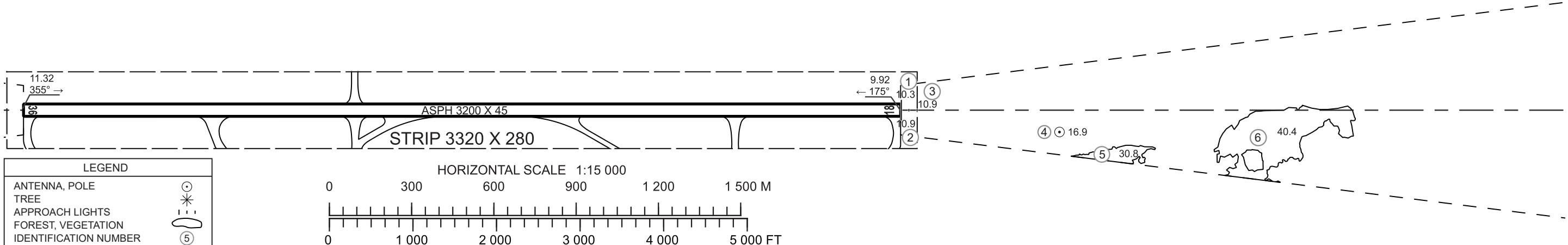
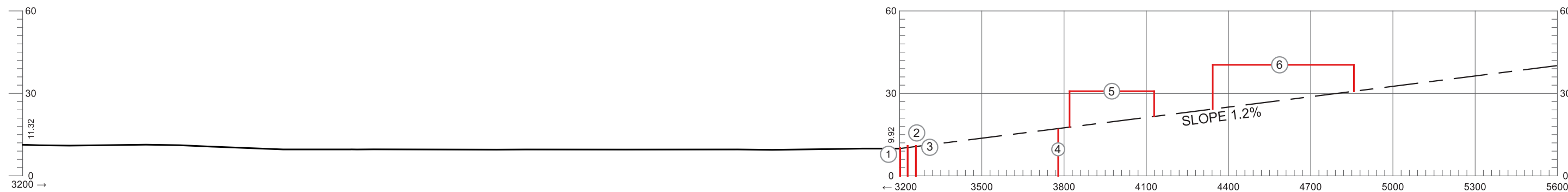
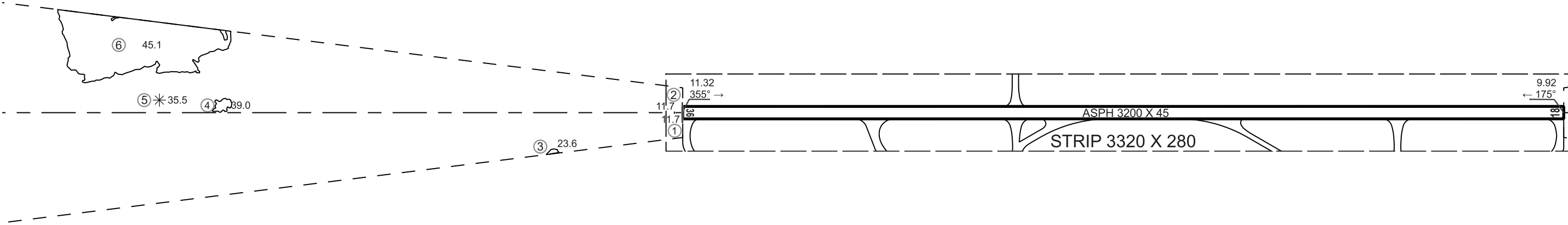
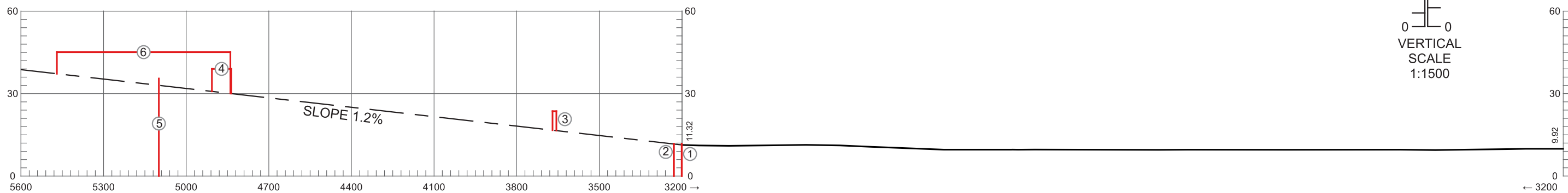
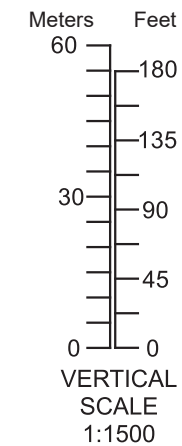
DIMENSIONS AND ELEVATIONS IN METRES

MAGNETIC VARIATION 10°E (2021)

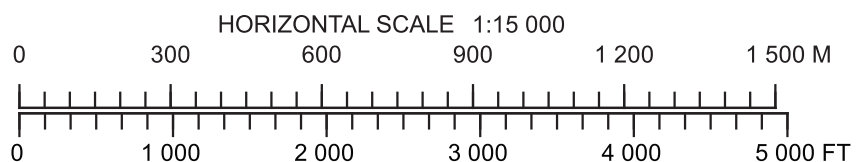
ORDER OF ACCURACY
HORIZONTAL 0.61 METRES
VERTICAL 0.05 METRES

RWY 18/36

DECLARED DISTANCES		
RWY 18		RWY 36
3200	TAKE-OFF RUN AVAILABLE	3200
3200	TAKE-OFF DISTANCE AVAILABLE	3200
3200	ACCELERATION STOP DISTANCE AVAILABLE	3200
3200	LANDING DISTANCE AVAILABLE	3200



LEGEND	
ANTENNA, POLE	⊙
TREE	*
APPROACH LIGHTS	⋯
FOREST, VEGETATION	⬭
IDENTIFICATION NUMBER	⑤



Changes: obstacles updated, editorial.

INTENTIONALLY LEFT BLANK